

Dover Motion

(800) 227-1066

sales@dovermotion.com

www.dovermotion.com

Features

: : Compact, high accuracy, high performance

: : Standard NEMA 17-frame stepper motor

Description

The Dover Motion KV Micro linear Stage offer compact size, high accuracy, and high performance. This series is designed using high accuracy recirculating ball ways, integrated end of travel limits, standard NEMA 17-frame step-

per motor with coupling and mount, and anti-backlash leadscrews.

Travels range from 25mm to 200mm. Linearity of the screw is less than +/- 2 microns over full travel.

KV Micro Linear Stage Specifications

Specifications	KV-25	KV-50	KV-110	KV-140	KV-200
Travel (mm)	25	50	110	140	200
Leadscrew Accuracy (µm)	15	30	66	84	120
Bi-directional Repeatability (µm)	3	3	3	3	3
Flatness & Straightness (µm)	4	7	10	13	18
Load Capacity (kg)	15	15	15	15	15
Mass (grams)					
Moving	175	175	175	175	175
Total	850	950	1050	1150	1300

Configurations (Apply to all of the above models)

Leadscrew

Lead (mm) 1mm or 2 mm pitch

Motor

Stepper Motor (oz-in) 400 step/rev 44 oz-in
 Stepper Motor (oz-in) 200 step/rev 52 oz-in
 Low Inductance (oz-in) 200 step/rev 62 oz-in

Option

Encoder

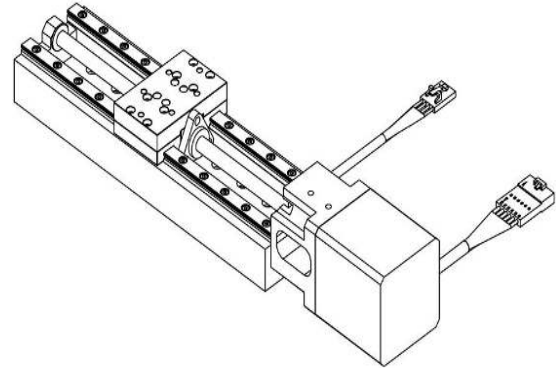
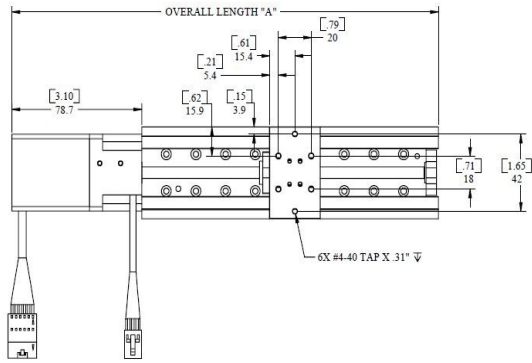
Rotary (counts/rev) 2000 or 4000 Others Available

Note: Brake available for vertical applications.

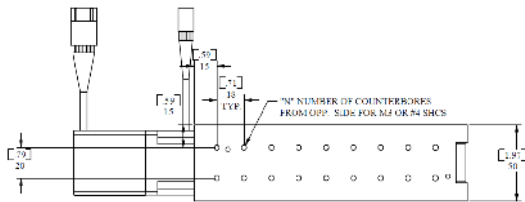
Please contact our Applications Engineers for loads exceeding 15kg.

Dimensions

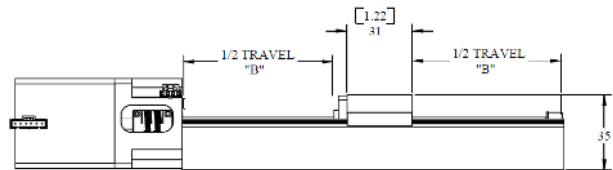
Top View



Bottom View



Side View



OVERALL LENGTH "A"	TRAVEL "B"	NUMBER OF HOLES "N"
[5.46"] 139mm	[.79"] 20mm	4
[6.64"] 169mm	[1.97"] 50mm	8
[7.82"] 199mm	[3.15"] 80mm	10
[9.00"] 229mm	[4.33"] 110mm	14
[10.19"] 259mm	[5.51"] 140mm	16
[12.55"] 319mm	[7.87"] 200mm	24

